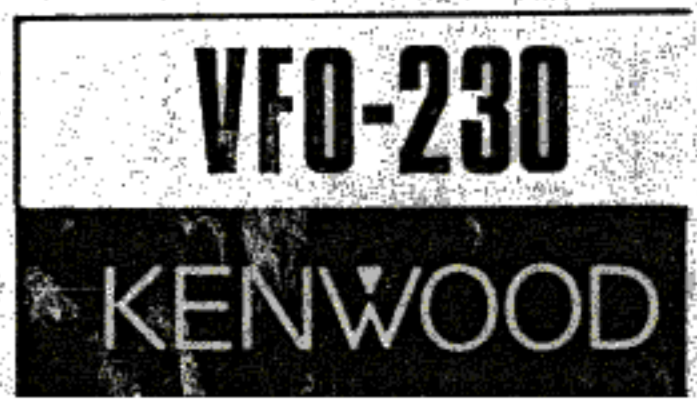
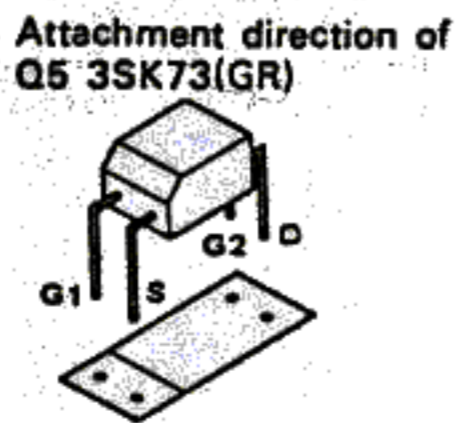
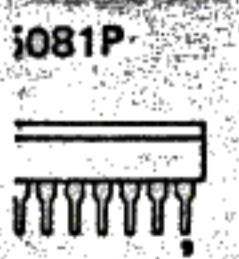


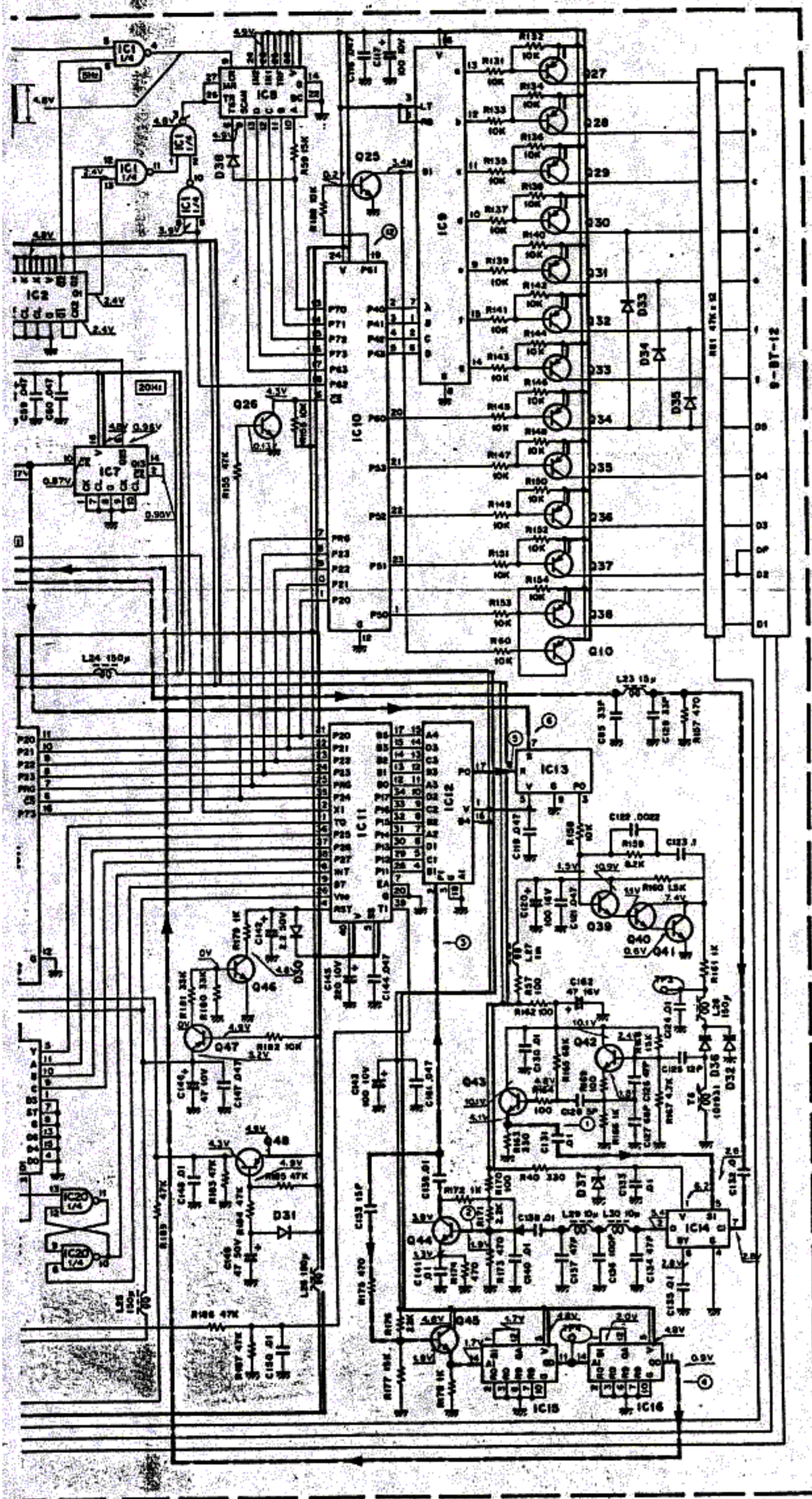
SPECIFICATIONS

- Oscillation frequency ... 5.40 ~ 6.10 MHz
- Output voltage 0.2V ± 1 dB
- Frequency stability Within $\pm 1 \times 10^{-5}$ at 0 - 50°C
within $\pm 3 \times 10^{-5}$ at room temp.
- Power consumption 13W
- Power requirement AC 120V 50/60Hz (in U.S.A.)
AC 220V/240V (Selectable)
50/60Hz (in Europe)
- Semiconductors used... CPU LSI 1
FET 1
IC 29
Transistors 55
Diodes 57
- Dimensions 180 (182) W 7.09"
133 (147) H 5.24"
287 (330) D mm 11.30"
(Figures in () include projections.)
- Weight Approx. 3 kg (6.61 Lbs.)

SCHEMATHEEK
Beh. T. Hultermans
Postbus 4228
5604 EE Eindhoven

3SK73(GR) Q10,22,27~38,47,48: 2SA1015(Y) Q11,14:- 2SC1959(Y)
90N IC7: TC4518BP IC8: TC5032P IC9: SN74LS247N IC10,17: μ PD8243C
4: μ PC1037H IC18: MC145698 IC19: HD74LS151P IC25~27: SN16913P
D6~8,11: 1S1587 D9: WZ-050 D37: WZ-061

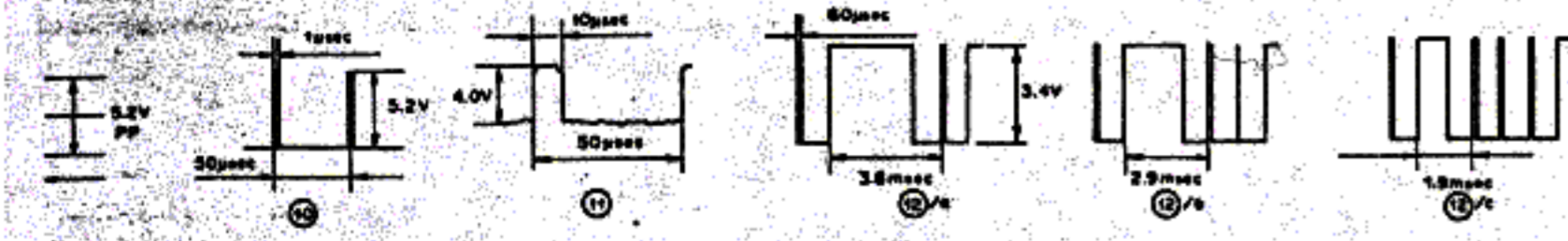




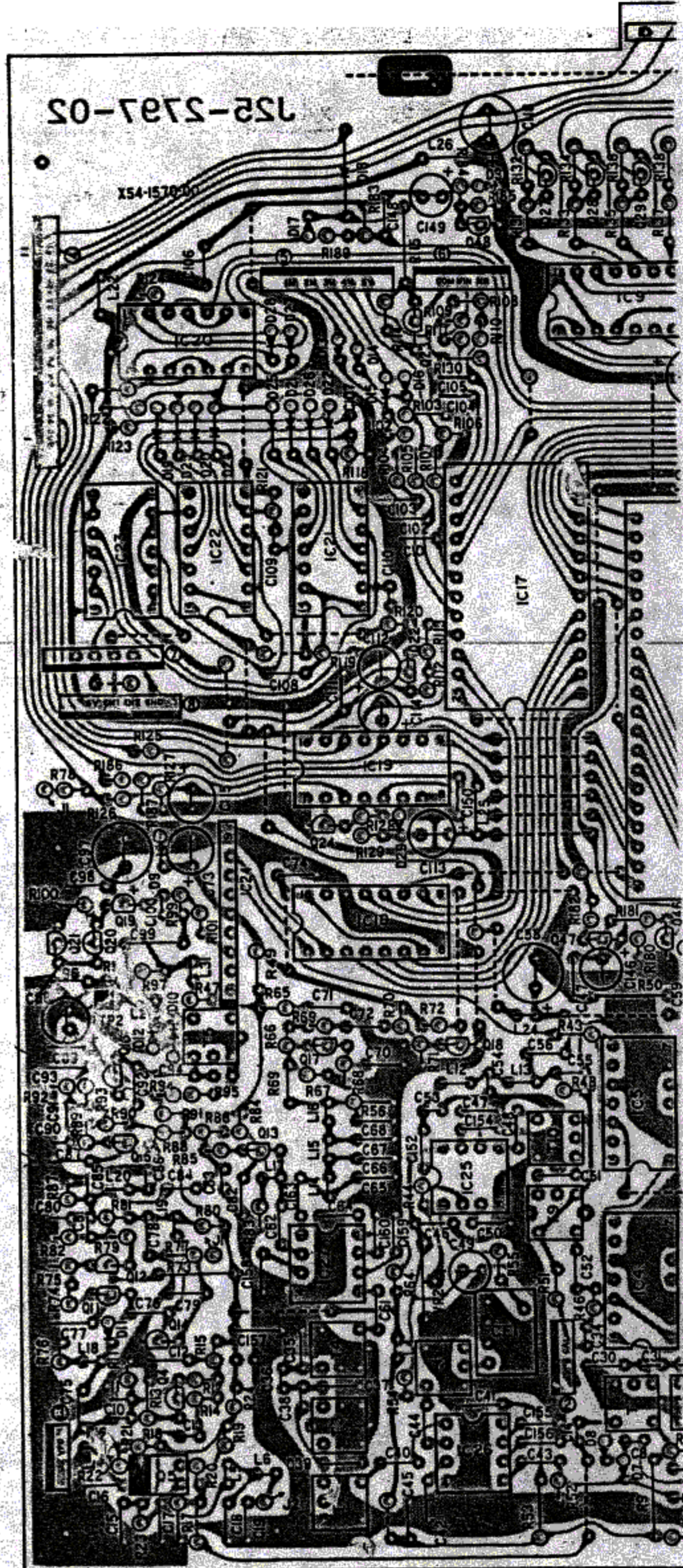
- | | | |
|----------------------------------|---------------------|--------------------------------|
| 5~9, 12, 13, 15~18, 23~26, 42~46 | IC7 : TC4518BP | D 1, 2, 4, 5, 13~31, 33~35, 38 |
| : 2SC1815(Y) | IC8 : TC5032P | : 1S1555 |
| : 3SK73(GR) | IC9 : SN74LS247N | Q 3, 10, 12, 32, 36 : 1SV54GC |
| : 2SC1959(Y) | IC10, 17 : μPD8243C | D 6~8, 11 : 1S1587 |
| 1, 39~41 : 2SC1775(E) | IC11 : μPD8048C-155 | D 9 : WZ-050 |
| : 27~38, 47, 48 : 2SA1015(Y) | IC12 : TC9122P | D 37 : WZ-061 |
| ~23 : TC4011BP | IC13, 24 : TC5081P | |
| : 15, 16 : SN74LS90N | IC14 : μPC1037H | |
| | IC18 : MC145698 | |
| | IC19 : HD74LS151P | |
| | IC25~27 : SN16913P | |

Display

: 0.0~9.9 : 100.0~599.9 : 10.0~99.9



<Note> Wave forms are displayed at 0.0 (VFO output 5.5 MHz).

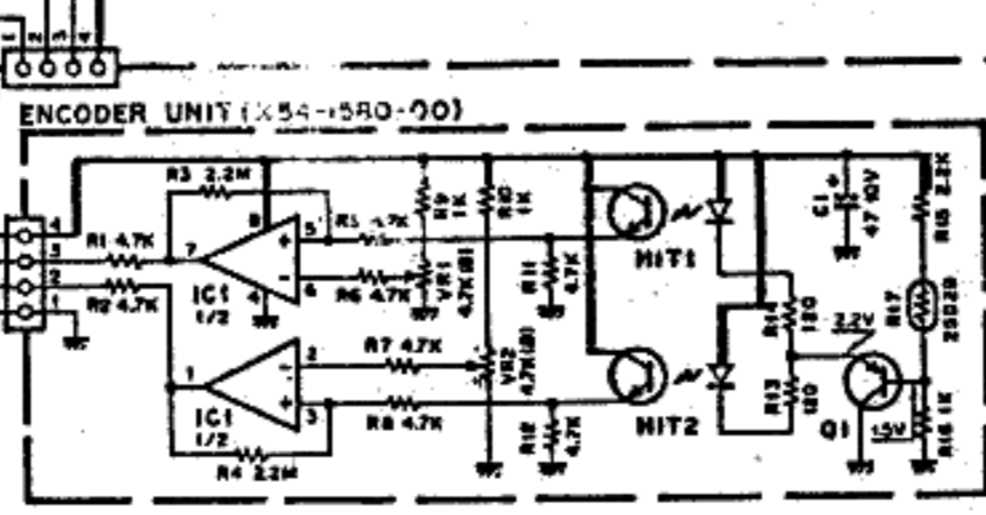
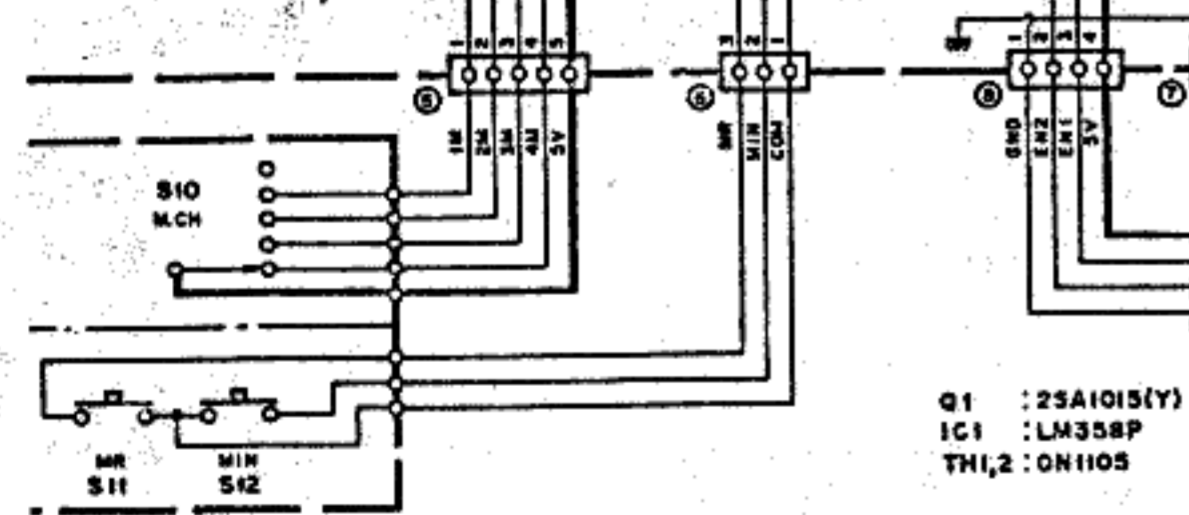
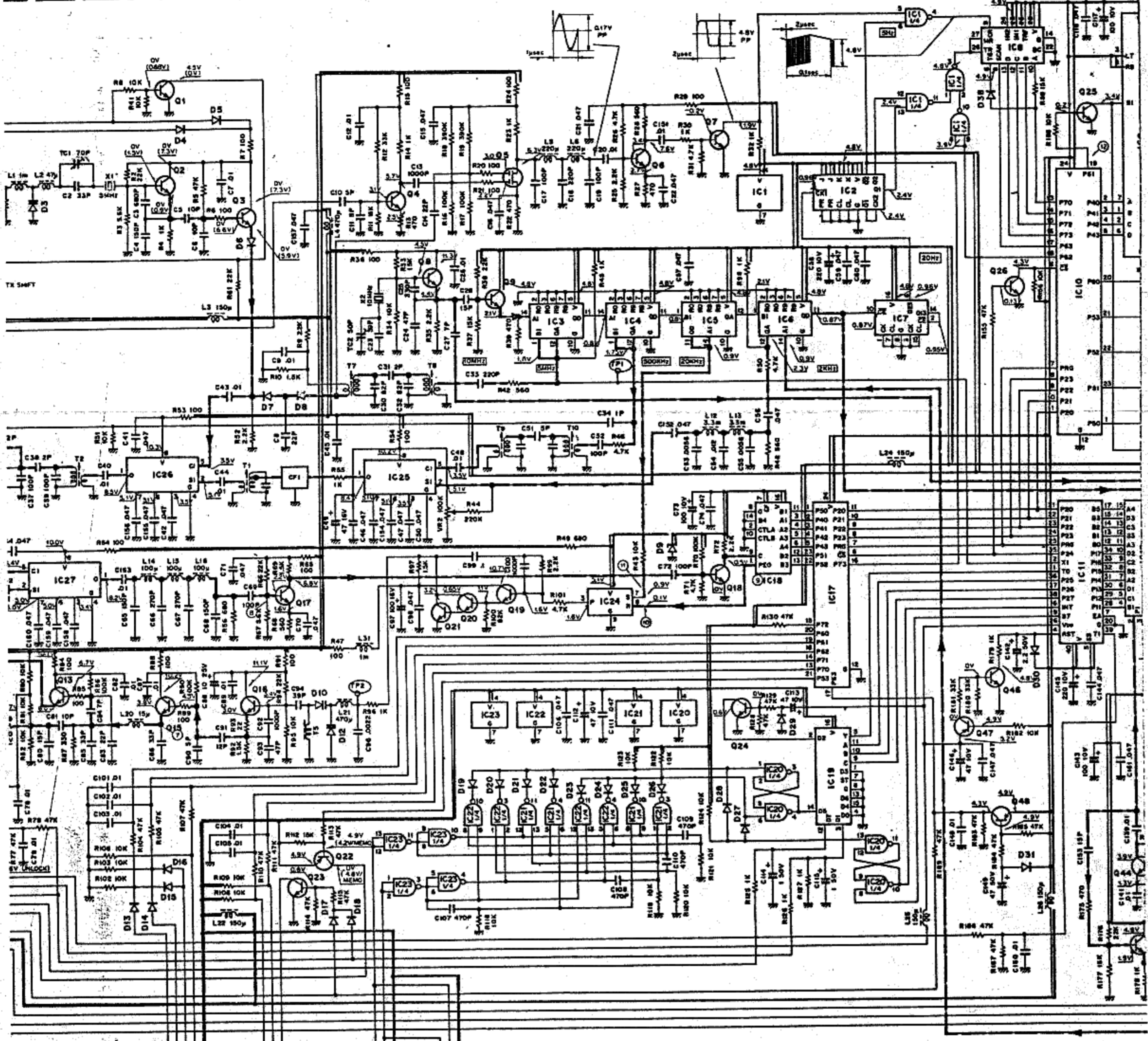


▼ DIGITAL UNIT (X54-1570-00)

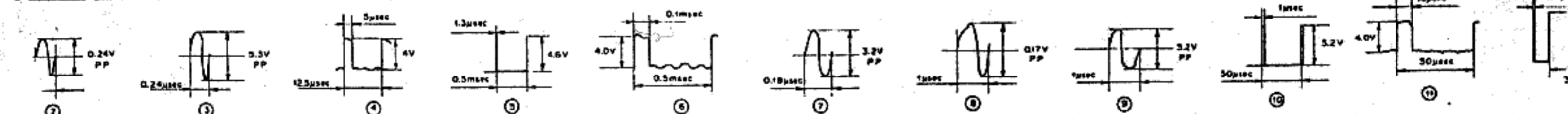
- | | | | |
|---|--------------|---------------------|-----------|
| Q1~4, 6~9, 12, 13, 15~18, 23~26, 42~46: | 2SC1815(Y) | Q5: | 3SK73(GR) |
| Q19~21, 39~41: | 2SC1775(E) | | |
| IC1, 20~23: | TC4011BP | IC2: | TC4027BP |
| IC3~6, 15, 16: | SN74LS90N | IC7: | TC |
| IC11: | μPD8048C-155 | IC12: | TC9122P |
| IC13, 24: | TC5081P | IC14: | μPC1037H |
| D1, 2, 4, 5, 13~31, 33~35, 38: | 1S1555 | D3, 10, 12, 32, 36: | 1SV54GC |
| D6~8, 11: | 1S1587 | D9: | WZ-050 |
| D37: | WZ-061 | | |



SCHEMATHEEK
Beh. T. Hultermans
Postbus 4228
5604 EE Eindhoven

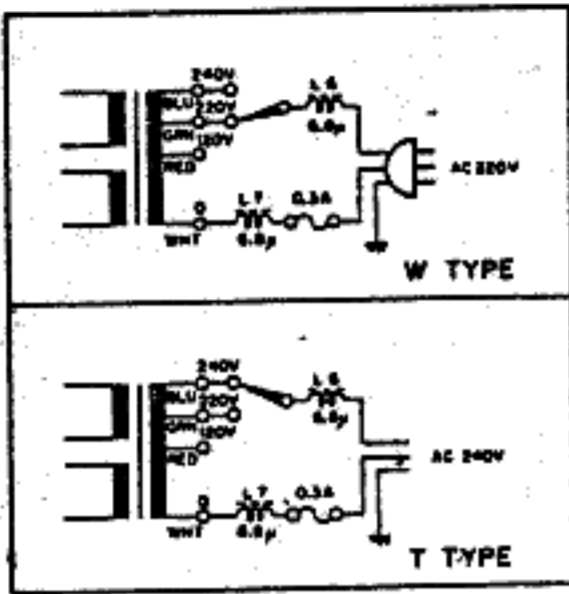


- Q 1-4, 6-9, 12, 13, 15-16, 23-26, 42-46 : 2SA1015(Y)
- Q 5 : 2SC1815(Y)
- Q 11, 14 : 2SC1959(Y)
- Q 19-21, 39-41 : 2SC1775(E)
- Q 10, 22, 27-38, 47, 48 : 2SA1015(Y)
- IC 1, 20-23 : TC4011BP
- IC 2 : TC4027BP
- IC 3-6, 15, 16 : SN74LS90N
- IC 7 : TC4518BP
- IC 8 : TC5032P
- IC 9 : SN74LS247N
- IC 10, 17 : μP08243C
- IC 11 : μP08048C-155
- IC 12 : TC9122P
- IC 13, 24 : TC5081P
- IC 14 : μPC1037H
- IC 18 : MC14569B
- IC 19 : HD74LS151P
- IC 25-27 : SN16913P



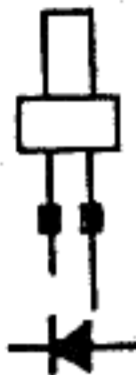
SCHEMATHEEK
 Beh. T. Hultermans
 Postbus 4228
 5604 EE Eindhoven

< Note > Wave forms are displayed at

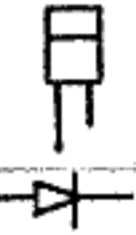


- Q1 : 2SD880(Y) D1,7,8,13,14 : 1S1555 D15-17 : TLR-205
- Q2,4-6 : 2SC1815(Y) D2-5,9,10,12 : V068 D18 : SLP-144
- Q3 : 2SA496(Y) D6 : WZ-150 D19 : XZ-048
- IC1 : μ PC14305H
- IC2 : TA78L012AP

SLP-144



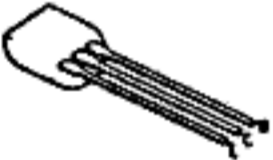
TLR-205



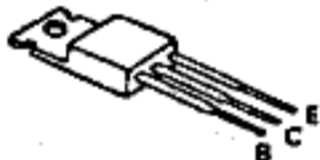
2SA496(Y)



2SA1015(Y)
2SC1775(E)
2SC1815(Y)
2SC1959(Y)



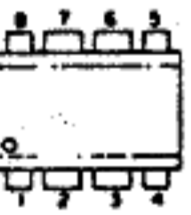
2SD880(Y)



3SK73(GR)



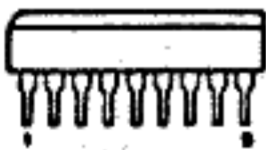
LM358P
SN16913P



TA78L012AP



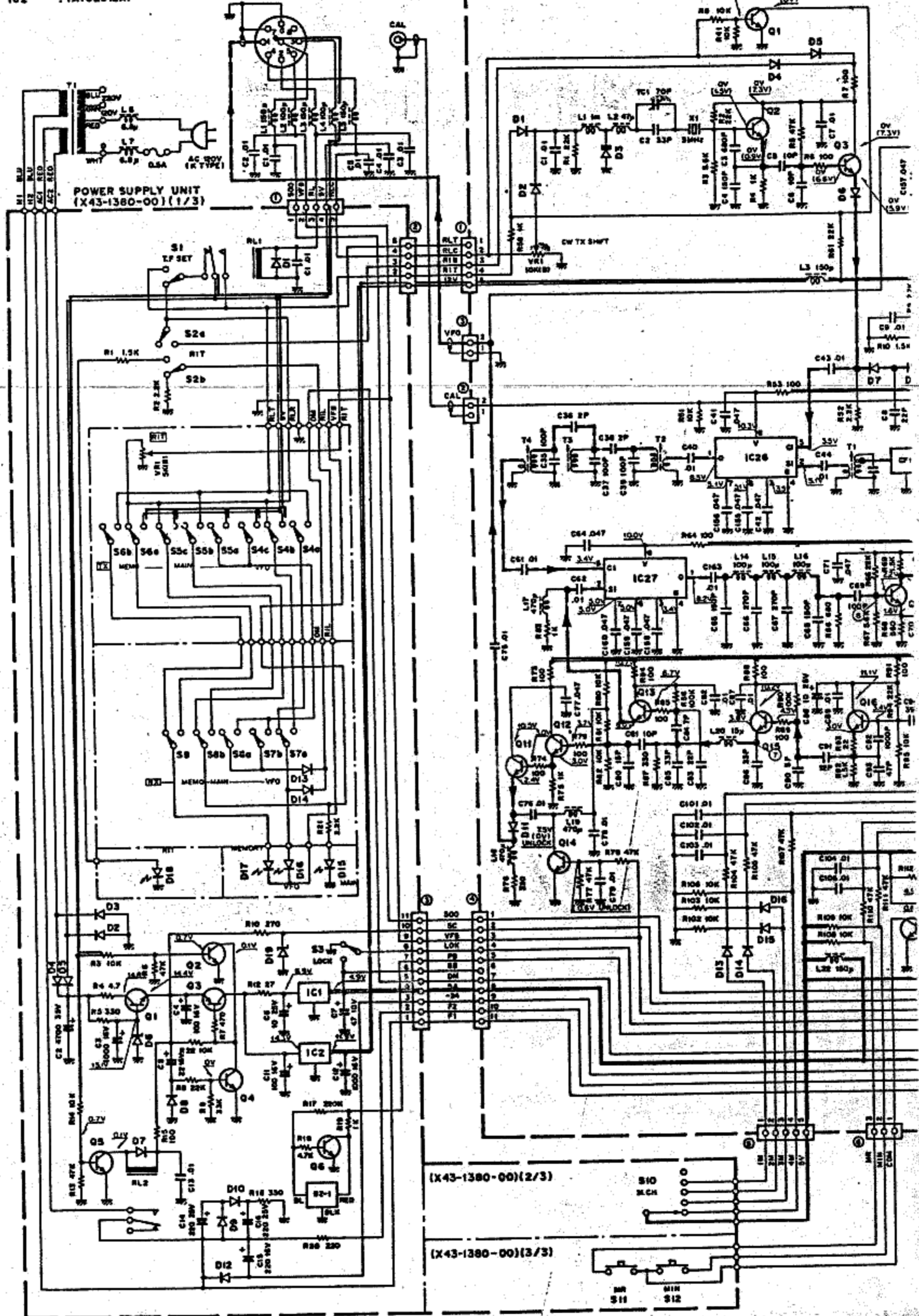
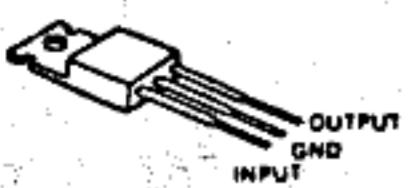
TC5081P



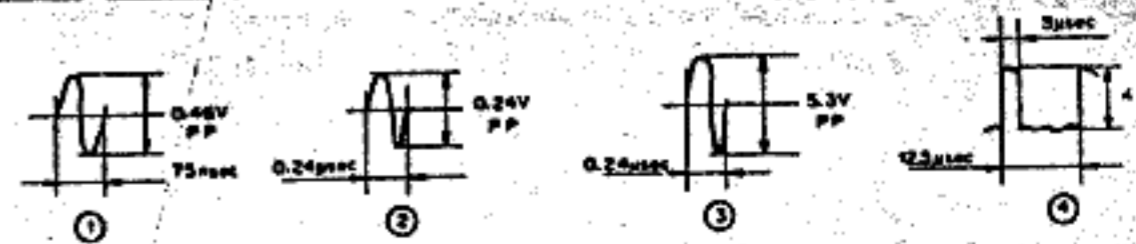
μ PC1037H



μ PC14305H



SCHEMATHEEK
Beh. T. Hultermans
Postbus 4228
5604 EE Eindhoven



2
3
4
5
6